

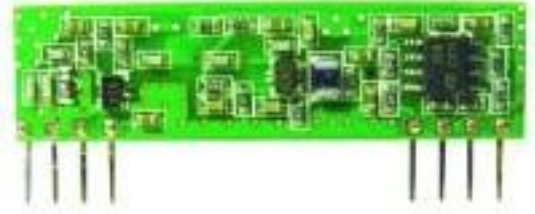
RXD1

315/434 MHz

Hybrid Receiver



□ Ideal for 315/434MHz Remote Keyless-Entry Receives.



The RXD1 is a miniature receiver module that receives On-off keyed (OOK) modulation signal and demodulated to digital signal for the next decoder stage. Local Oscillator is made of LC structure. The result is excellent performance in a simple-to-use, with a low external component count. The RXD1 is designed specifically for remote-control and wireless security receiver operating at 315/434Mhz in the USA under FCC Part 15 regulation.

Absolute Maximum Ratings

Rating Value		Units
Power Supply and/or Modulation Input Voltage	5	V
Operating temperature	-20 to +80	□

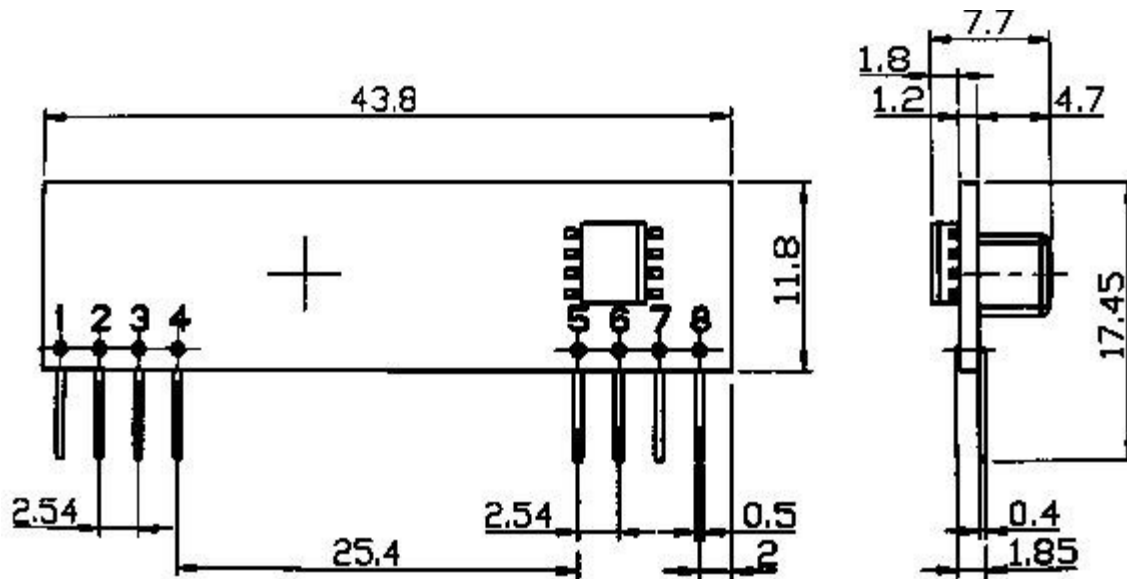
Receiver Characteristics		Condition	Value			Unit
Parameter Symbol			min.	typ.	max.	
Sensitivity Psens		Vcc=5.0V, AT25□, 315MHz	-103	-105		dBm
		BER=3/100, 2Kbps 434MHz	-102	-104		dBm
ASKOUT logic HIGH	VOH	Iload = 10uA	0.7*Vcc			V
ASKOUT logic LOW	VOL	Iload = 10uA	0.3*Vcc			V
Supply current	Icc		3.3	3.6		mA
Supply voltage Range	Vcc		+4.75	+5	+5.25	V
Data Rate			200	2K	6K	bps

RXD1

315/434 MHz

Hybrid Receiver

Mechanical Characteristics:



Pin-out:

- | | |
|--------|---------|
| 1. ANT | 5. VCC |
| 2. GND | 6. DATA |
| 3. GND | 7. DATA |
| 4. VCC | 8. GND |