

# AVR360: Step Motor Controller



## Features

- High-Speed Step Motor Controller
- Interrupt Driven
- Compact Code (Only 10 Bytes Interrupt Routine)
- Very High Speed
- Low Computing Requirement
- Supports all AVR® Devices

## Introduction

This application note describes how to implement a compact size and high-speed interrupt driven step motor controller. Step motors are typically used in applications like camera zoom/film feeder, fax machines, printers, copying machines, paper feeders/sorters and disk drives.

The high performance of the AVR controller enables the designer to implement high speed step motor applications with low computing requirements of the controller.

## Theory of Operation

A DC step motor translates current pulses into motor rotation. A typical motor contains four winding coils. The coils are often labeled red, yellow/white, red/white and yellow, but may have other colors. Applying voltage to these coils forces the motor to step one step.

In normal operation, two winding coils are activated at the same time. The step motor moves clockwise one step per change in winding activated. If the sequence is applied in reverse order, the motor will run counterclockwise.

The speed of rotation is controlled by the frequency of the pulses. Every time a pulse is applied to the step motor the motor will rotate a fixed distance. A typical step rotation is 1.8 degrees. With 1.8 degree rotation in each step will a complete rotation of the motor (360 degrees) require 200 steps.

By changing the interval of the timer interrupts, the speed of the motor can be regulated, and by counting the number of steps, the rotation angle can be controlled.

## Step Motor Controller

## Application Note

Figure 1. Step Motor Step Sequence

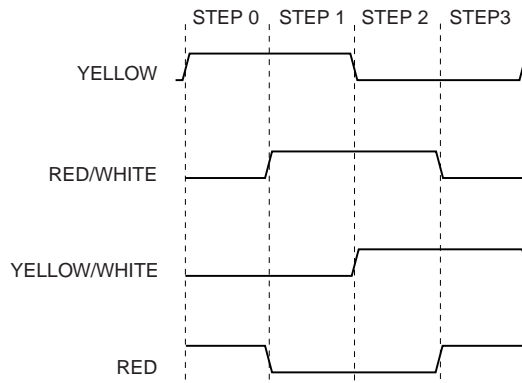


Table 1 shows the hexadecimal values to be output to the step motor to perform each step.

**Table 1.** Step Motor Values

Step	Yellow	Red/White	Yellow/White	Red	Hex Value
0	1	0	0	1	9
1	1	1	0	0	C
2	0	1	1	0	6
3	0	0	1	1	3

## Software Description

The software uses a 16 bits timer with capture function to generate interrupt every 100 ms. When the interrupt is executed, a new step value is output to PORTB.

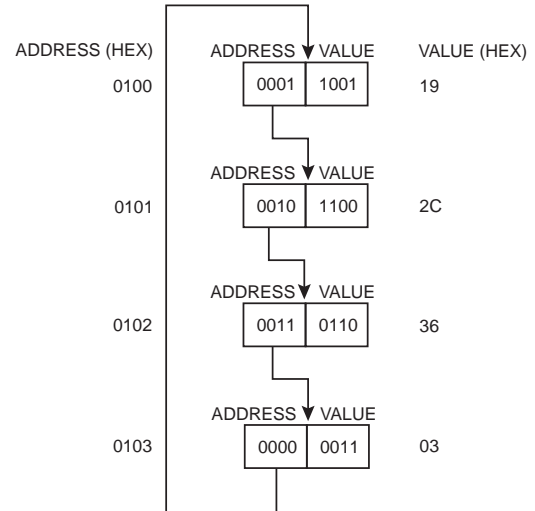
Values for the step motor are stored in flash memory. At startup, the values are copied to SRAM to achieve faster access and maximum speed performance.

In this implementation, the interrupt routine takes 7 cycles + 4 cycles to enter and 4 cycles to exit the interrupt. This totals 15 cycles. With a clock speed of 8 MHz, the step motor control takes less than 2ms. If interrupt is required every 100 ms, the step motor handling takes only 2% of the processing power in the CPU.

In this example the values for the step motor are stored at RAM address 0100 (hex). The upper byte of the RAM address is constant and only the low nibble of the low byte is used to access the address information. See Figure 2.

The lower nibble (4 bits) of the variables is the actual value to control the step motor, the upper nibble holds the address of the next value.

**Figure 2.** Step Motor Addresses and Values



By using this method, maximum speed can be achieved, combined with a minimum of processor resources.

## Resources

**Table 2.** CPU and Memory Usage

Function	Code Size	Cycles	Register Usage	Interrupt	Description
main	38 words	-	R16, XL, XH, ZL, ZH	-	Initialization and example program
OC1A	10 words	13 + return	R16, XL, XH	Timer 1 output compare A	Output step motor value and calculate next value
TOTAL	48 words	-	R16, XL, XH, ZL, ZH		

**Table 3.** Peripheral Usage

Peripheral	Description	Interrupts Enabled
4 I/O pins	Step motor output pins	
Timer 1	Generate timer interrupt for step motor frequency generation	Timer 1 output compare A

## Code Listing

```

;*****
;* APPLICATION NOTE FOR THE AVR FAMILY
;*
;* Number:AVR360
;* File Name:      "stepmot.asm"
;* Title           :Simple high speed step motor controller
;* Date           :98.07.02
;* Version        :1.00
;* Support telephone :+47 72 88 43 88 (ATMEL Norway)
;* Support fax     :+47 72 88 43 99 (ATMEL Norway)
;* Support E-mail  :avr@atmel.com
;* Target MCU     :All AVR devices
;*
;*****

.include "..\8515def.inc"

;***** Define global registers *****
.def    temp      = R16

;***** Define constants *****

.equ    c_value   = 500                ;Compare value for output compare interrupt
                                           ; 500 cycles@5Mhz = 100us

;*****
;*
;*      PROGRAM START - EXECUTION STARTS HERE
;*
;*****

.cseg

                                           ;Initialize interrupt vectors
.org    0x00
        rjmp     main
.org    0x01     Aaddr                ;Init Output compare A interrupt vector
        rjmp     0x01

;*****
;*
;* OC1A- Timer1 Output compare A interrupt routine
;*
;*
;* DESCRIPTION
;*
;*This interrupt routine load new step motor value from the step

```

```

;*motor table in SRAM. The values in the table have two functions,
;*the lower nibble contains the value to output to the step motor.
;*The upper nibble holds the address of the next value. First the
;*step value is output to the port, next the address is moved to
;*the XL register.
;*
;* Number of words      :6 + return
;* Number of cycles     :7 + return
;* Low registers used   :None
;* High registers used  :3 (temp,XL,XH)
;*****

OCLA:  in      temp,SREG
       push   temp
       ld     temp,X           ;Load temp with X pointer value
       mov   XL,temp          ;Move value to X pointer
       andi  temp,0x0F        ;Mask away upper nibble
       out   PORTB,temp       ;Output lower nibble to step motor
       swap  XL               ;Swap upper and lower nibble
       andi  XL,0x0F          ;Mask away upper nibble, address is ready
       pop   temp
       out   SREG,temp
       reti

;*****

;*
;* Main Program
;*
;*This program initialize Timer 1 output compare interrupt to
;*occur with a interval defined with the c_value constant.
;*The step motor lookup table is loaded from the flash and stored
;*in SRAM address 0x0100 to achieve maximum speed.
;*
;*****
;**** Code

main:  ldi    r16,high(RAMEND)   ;Intialize stackpointer
       out   SPH,r16
       ldi    r16,low(RAMEND)
       out   SPL,r16
       ldi    temp,0x0F        ;Set PORTB pin3-0 as output
       out   DDRB,temp
       ldi    temp,0x00
       out   PORTB,temp        ;Write initial value to PORTB
       ldi    temp,high(c_value) ;Load compare high value
       out   OCR1AH,temp
       ldi    temp,low(c_value) ;Load compare low value
       out   OCR1AL,temp
       ldi    temp,0x00

```

```

out    TCNT1H,temp           ;Clear timer high byte
out    TCNT1L,temp           ;Clear timer low byte
out    TCCR1A,temp           ;Clear timer control reg A
ldi    temp,0x40
out    TIFR,temp             ;Clear pending timer interrupt
out    TIMSK,temp            ;Enable Timer compare interrupt

ldi    ZH,high(step*2)       ;Init Z pointer to step table in flash
ldi    ZL,low(step*2)
ldi    XH,high(0x0100)       ;Init X pointer to RAM location
ldi    XL,low(0x0100)

ldi    temp,0x04              ;Load counter value
load:  lpm                    ;Load step value from flash
      st    X+,R0              ;Store step value in RAM
      adiw  ZL,0x01            ;Increment flash pointer
      dec   temp                ;Decrement counter
      brne  load                ;Continue until table is loaded

ldi    XH,high(0x0100)       ;Initialize X pointer to RAM location
ldi    XL,low(0x0100)

ldi    temp,0x9
out    TCCR1B,temp           ;Clear timer on compare match,CK/1
sei
loop:  rjmp  loop              ;Do something else

step:  .db    0x19,0x2C,0x36,0x03 ;Step motor lookup table

```



## Atmel Headquarters

### *Corporate Headquarters*

2325 Orchard Parkway  
San Jose, CA 95131  
TEL (408) 441-0311  
FAX (408) 487-2600

### *Europe*

Atmel U.K., Ltd.  
Coliseum Business Centre  
Riverside Way  
Camberley, Surrey GU15 3YL  
England  
TEL (44) 1276-686677  
FAX (44) 1276-686697

### *Asia*

Atmel Asia, Ltd.  
Room 1219  
Chinachem Golden Plaza  
77 Mody Road  
Tsimshatsui East  
Kowloon, Hong Kong  
TEL (852) 27219778  
FAX (852) 27221369

### *Japan*

Atmel Japan K.K.  
Tonetsu Shinkawa Bldg., 9F  
1-24-8 Shinkawa  
Chuo-ku, Tokyo 104-0033  
Japan  
TEL (81) 3-3523-3551  
FAX (81) 3-3523-7581

## Atmel Operations

### *Atmel Colorado Springs*

1150 E. Cheyenne Mtn. Blvd.  
Colorado Springs, CO 80906  
TEL (719) 576-3300  
FAX (719) 540-1759

### *Atmel Rousset*

Zone Industrielle  
13106 Rousset Cedex, France  
TEL (33) 4 42 53 60 00  
FAX (33) 4 42 53 60 01

---

### *Fax-on-Demand*

North America:  
1-(800) 292-8635  
International:  
1-(408) 441-0732

### *e-mail*

[literature@atmel.com](mailto:literature@atmel.com)

### *Web Site*

<http://www.atmel.com>

### *BBS*

1-(408) 436-4309

### © Atmel Corporation 1998.

Atmel Corporation makes no warranty for the use of its products, other than those expressly contained in the Company's standard warranty which is detailed in Atmel's Terms and Conditions located on the Company's website. The Company assumes no responsibility for any errors which may appear in this document, reserves the right to change devices or specifications detailed herein at any time without notice, and does not make any commitment to update the information contained herein. No licenses to patents or other intellectual property of Atmel are granted by the Company in connection with the sale of Atmel products, expressly or by implication. Atmel's products are not authorized for use as critical components in life support devices or systems.

Marks bearing ® and/or ™ are registered trademarks and trademarks of Atmel Corporation.

Terms and product names in this document may be trademarks of others.



Printed on recycled paper.

1181A-11/98/xM